

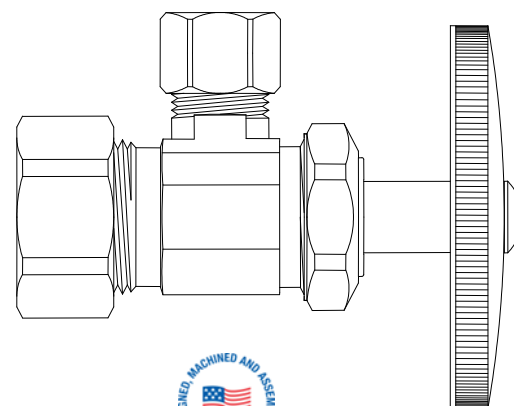
Job Name		Engineer / Architect	
Job Location		Wholesaler	
Submittal Date		Contractor	

CR3900/ CR3901/ CR3902/ CR3903 Multi-Turn Dual Outlet Stop – Compression Inlet

Use: For use in potable water distribution systems. Not intended for recirculating water systems that produce continuous use temperatures above 115° F. For those applications, use BrassCraft KT series ball stops

Design Features:

- **Machined one-piece brass body** provides strength, durability and long-lasting performance
- **Knurled oval handle** provides a secure grip and smooth on/off operation
- **Easy-to-remove handle** with screw attachment protects accidental stop operation during rough-ins
- **Compliant Stops** available for California and Vermont “low-lead” requirements



Operating Specifications:

Temperature: 40° - 140° F
Pressure: 125 psi maximum

Standard

MATERIAL SPECIFICATIONS	
Valve Body	C36000 brass
Stem	POM or C36000 brass*
Bib & Packing Washers	Nitrile or EPDM rubber
Packing Nut	C36000 brass
Handle	Plated metal, chrome-plated ABS or Lexan
Handle Screw	Zinc-plated steel
Compression Sleeve	C36000 brass
Compression Nut	C36000 brass, chrome plated

Compliant

MATERIAL SPECIFICATIONS	
Valve Body	Compliant brass
Stem	POM or Compliant brass*
Bib & Packing Washers	Nitrile or EPDM rubber
Packing Nut	Compliant brass
Handle	Plated metal, chrome-plated ABS or Lexan
Handle Screw	Zinc-plated steel
Compression Sleeve	Compliant brass
Compression Nut	C36000 brass, chrome plated

*Where specified

Standard Part Listing:

- CR3900R C1 1/2" Nom. Compression x 1/2" OD Compression x 1/4" OD Compression (right side), chrome plated, window tray
- CR3900R R1 1/2" Nom. Compression x 1/2" OD Compression x 1/4" OD Compression (right side), rough brass, window tray
- CR3900RZ C1 1/2" Nom. Compression x 1/2" OD Compression x 1/4" OD Compression (right side), brass stem, chrome plated, window tray

This specification and all information contained herein is the confidential and exclusive property of BrassCraft Manufacturing, and shall not be disclosed to others without the written consent of BrassCraft. This specification must be returned to BrassCraft if requested.



CR3900/ CR3901/ CR3902/ CR3903 Multi-Turn Dual Outlet Stop – Compression Inlet

Standard Part Listing:

- CR3901L C1 1/2" Nom. Compression x 1/2" OD Compression x 3/8" OD Compression (left side), chrome plated, window tray
- CR3901L R1 1/2" Nom. Compression x 1/2" OD Compression x 3/8" OD Compression (left side), rough brass, window tray
- CR3901LZ C1 1/2" Nom. Compression x 1/2" OD Compression x 3/8" OD Compression (left side), brass stem, chrome plated, window tray
- CR3901LZ R1 1/2" Nom. Compression x 1/2" OD Compression x 3/8" OD Compression (left side), brass stem, rough brass, window tray
- CR3901R C1 1/2" Nom. Compression x 1/2" OD Compression x 3/8" OD Compression (right side), chrome plated, window tray
- CR3901R R1 1/2" Nom. Compression x 1/2" OD Compression x 3/8" OD Compression (right side), rough brass, window tray
- CR3901RZ C1 1/2" Nom. Compression x 1/2" OD Compression x 3/8" OD Compression (right side), brass stem, chrome plated, window tray
- CR3901RZ R1 1/2" Nom. Compression x 1/2" OD Compression x 3/8" OD Compression (right side), brass stem, rough brass, window tray
- CR3902L C1 1/2" Nom. Compression x 1/2" OD Compression x 7/16" OD Compression (left side), chrome plated, window tray
- CR3902L R1 1/2" Nom. Compression x 1/2" OD Compression x 7/16" OD Compression (left side), rough brass, window tray
- CR3902R R1 1/2" Nom. Compression x 1/2" OD Compression x 7/16" OD Compression (right side), rough brass, window tray
- CR3903LR C1 1/2" Nom. Compression x 1/2" OD Compression x 1/2" OD Compression, chrome plated, window tray
- CR3903LR R1 1/2" Nom. Compression x 1/2" OD Compression x 1/2" OD Compression, rough brass, window tray
- CR3903LRZ C1 1/2" Nom. Compression x 1/2" OD Compression x 1/2" OD Compression, brass stem, chrome plated, window tray

Compliant Part Listing:

- CR3901LX C1 1/2" Nom. Compression x 1/2" OD Compression x 3/8" OD Compression (left side), chrome plated, window tray
- CR3901LX R1 1/2" Nom. Compression x 1/2" OD Compression x 3/8" OD Compression (left side), rough brass, window tray
- CR3901RX C1 1/2" Nom. Compression x 1/2" OD Compression x 3/8" OD Compression (right side), chrome plated, window tray
- CR3901RX R1 1/2" Nom. Compression x 1/2" OD Compression x 3/8" OD Compression (right side), rough brass, window tray
- CR3903LRX C1 1/2" Nom. Compression x 1/2" OD Compression x 1/2" OD Compression, chrome plated, window tray
- CR3903LRX R1 1/2" Nom. Compression x 1/2" OD Compression x 1/2" OD Compression, rough brass, window tray

Listings & Certifications:

- IAPMO listed to ASME A112.18.1-05 / CSA B125.1-05 (File # 0645)
- CSA listed to ASME A112.18.1-05 / CSA B125.1-05 (File # 204593)
- Compliant product CSA approved to California Health & Safety Code 116875 And Vermont Bill S.152 (Project # 2174785)

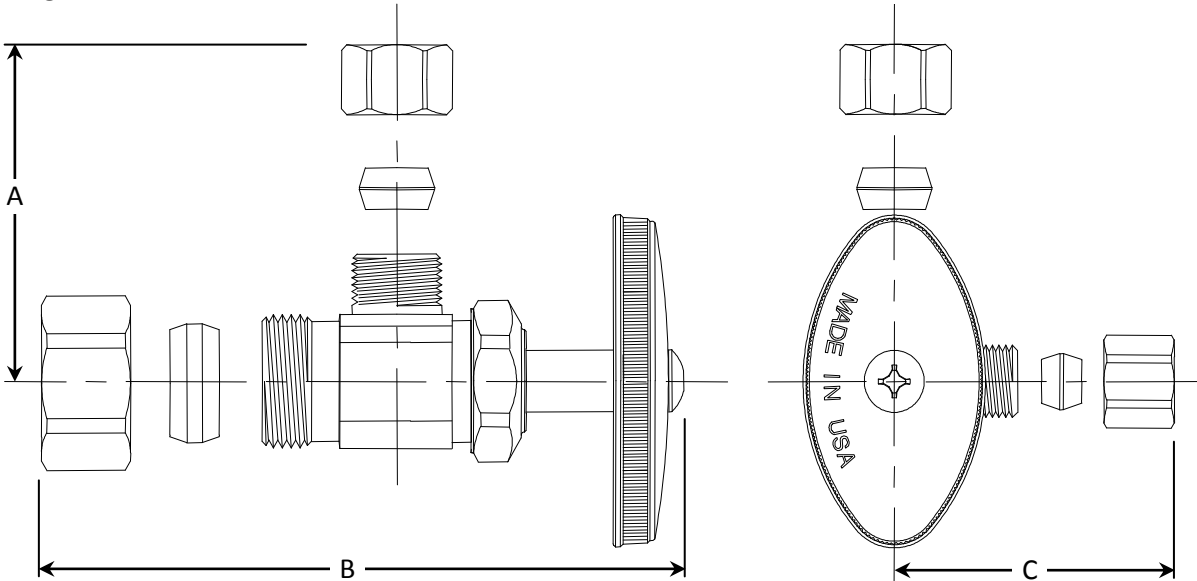


This specification and all information contained herein is the confidential and exclusive property of BrassCraft Manufacturing, and shall not be disclosed to others without the written consent of BrassCraft. This specification must be returned to BrassCraft if requested.

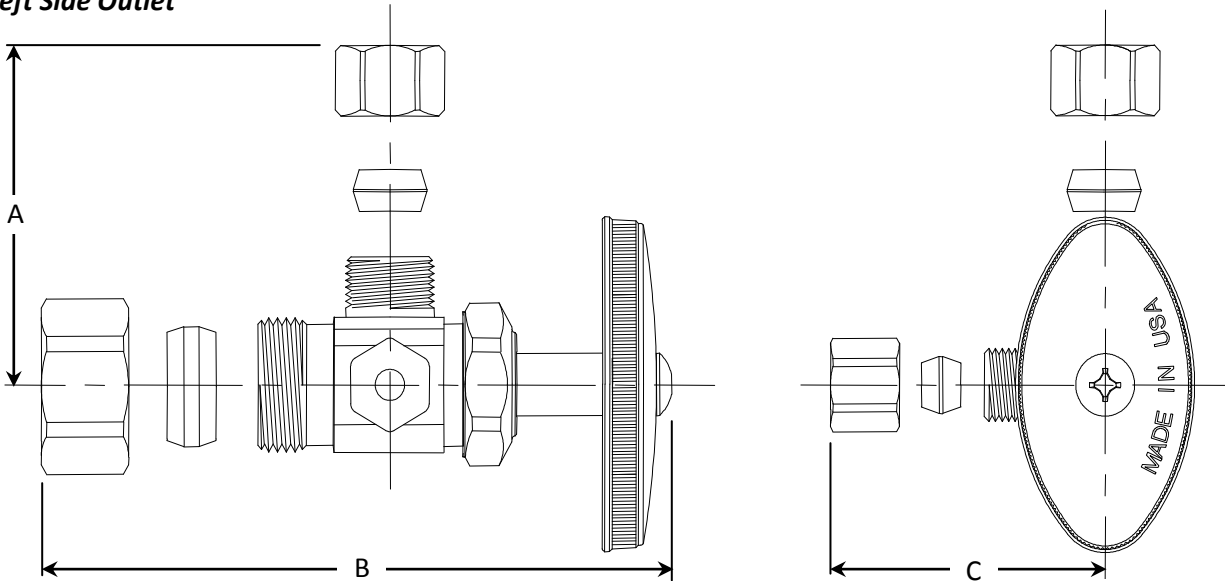
BrassCraft[®]

CR3900/ CR3901/ CR3902/ CR3903 Multi-Turn Dual Outlet Stop – Compression Inlet

Right Side Outlet



Left Side Outlet



PART DIMENSIONS (Inches)			
Model	DIM. A	DIM. B	DIM. C
CR3900R	1.09	2.82	1.09
CR3901L	1.09	2.82	1.09
CR3901R	1.09	2.82	1.09

PART DIMENSIONS (Inches)			
Model	DIM. A	DIM. B	DIM. C
CR3902L	1.10	2.82	1.09
CR3902R	1.09	2.82	1.09
CR3903LR	1.09	2.86	1.09

This specification and all information contained herein is the confidential and exclusive property of BrassCraft Manufacturing, and shall not be disclosed to others without the written consent of BrassCraft. This specification must be returned to BrassCraft if requested.

BrassCraft[®]